

5M HD IP Fixed Outdoor Flat Dome Camera

Quick Manual

Ver. 1.3 / 2022.07

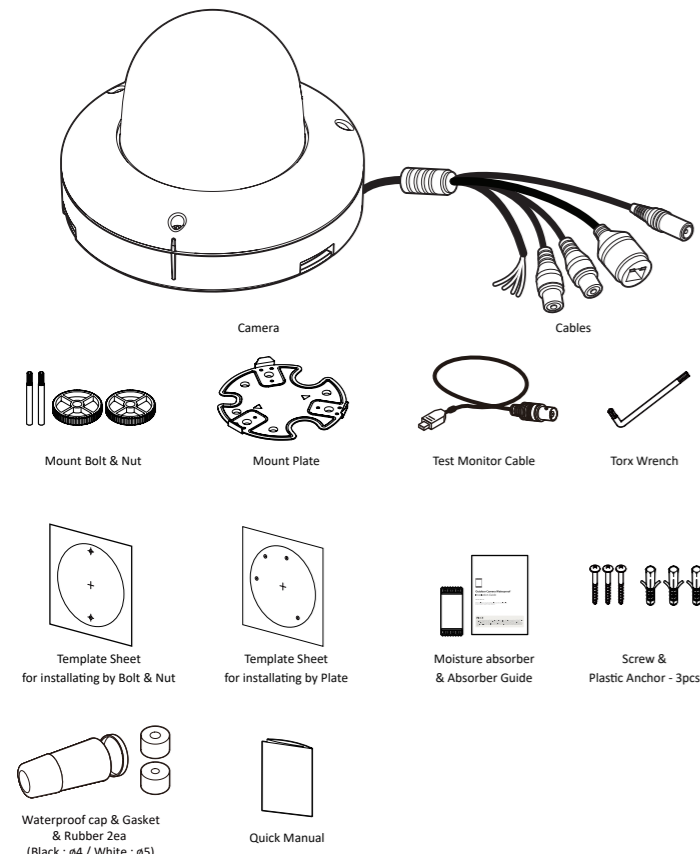
Before installing and using the camera, please read this manual carefully. Be sure to keep it handy for future reference.



This equipment has been tested and found to comply with the limits for a Class A digital device, pursuant to part 15 of the FCC Rules. These limits are designed to provide reasonable protection against harmful interference when the equipment is operated in a commercial environment. This equipment generates, uses, and can radiate radio frequency energy and, if not installed and used in accordance with the instruction manual, may cause harmful interference to radio communications. Operation of this equipment in a residential area is likely to cause harmful interference in which case the user will be required to correct the interference at his own expense.

To disconnect power from the mains, pull out the mains cord plug. When install the product, ensure that the plug is easily accessible.

1. Product & Accessories



Note: Cable thickness 4.5φ to 5.5φ uses a black rubber, and over 5.5φ uses a white rubber.

Safety Information

These instructions are intended to ensure that the user can use the product correctly to avoid danger or property loss.



WARNINGS : Serious injury or death may be caused if any of these warnings are neglected.

POWER

- Use only standardized adapters written in the manual. Incorrect connection of the power source can cause fire, electric shock, or failure.
- If there is smoke or a strange smell from the power source, disconnect the power immediately and contact the service center or purchasing office. If you continue to use it as is, it can cause fire and electric shock.
- Disconnect the power plug from the outlet before connecting to the power terminal block.

INSTALLATION

- Install it according to the temperature and humidity environment suitable for the product specifications. Otherwise, it can cause fire and electric shock.
- Thunder and lightning can cause problems with the camera. When installing, be careful to minimize damage caused by lightning such as grounding.
- Do not place conductive materials (drivers, coins, metal sticks, etc.) and water-filled containers on the camera. It causes injuries caused by fire, electric shock, and falling.
- If you want to move the installed product, turn off the power and move it or reinstall it. Otherwise, it can cause fire and electric shock.
- Do not install it in places where there is a lot of moisture, dust, soot, etc. It causes fire and electric shock.
- Avoid places where direct sunlight comes in or where heat comes out, such as heating appliances. It causes fire and electric shock.

CLEANING

- Do not spray water directly on each part of the product when cleaning. It causes fire and electric shock.

If the product is not functioning properly or damaged, contact the service center or purchasing office.



CAUTIONS : Injury or equipment damage may be caused if any of these cautions are neglected.

POWER

- Use the power line after fixing it firmly to the power connection terminal. Incomplete connection can cause a fire.
- Do not extend the adapter output cable. If you need to install the power cable extension, please contact the service center.
- Use insulated power for PoE connected external power.

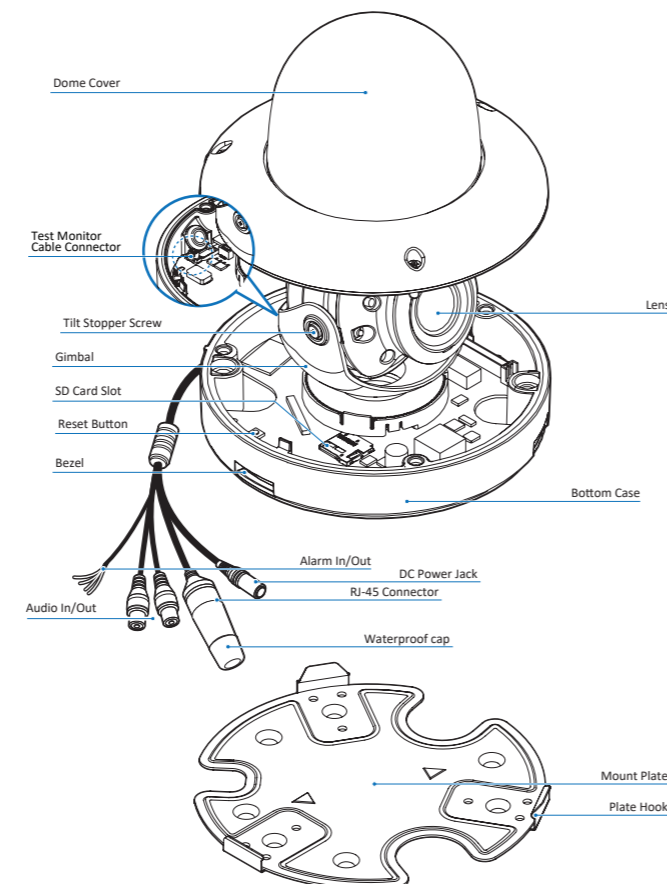
INSTALLATION

- It is recommended not to touch the lens when installing the product as the factory ships with a focus adjustment completed during the manufacturing completion inspection phase.
- Avoid installing cameras facing bright lights like sunlight. Causes damage to the image sensor.
- Make sure it safe and securely when installing camera on the wall or ceiling. This can cause injury by the fall.
- Do not connect multiple cameras to one adapter. Excess capacity causes abnormal heat and fire.
- Wear protective gloves when installing/uninstalling the camera. This causes burns caused by high temperature on the surface of the product.
- Don't drop or shock the product. Please stay away from places where vibration is severe or magnet types are present.
- Install it in a well-ventilated place. This can cause fire and failure.

CLEANING

- Wipe the contaminated surface with a clean, soft, dry cloth or wet the soft, dry cloth to prevent water from flowing, then wipe the contaminated area.

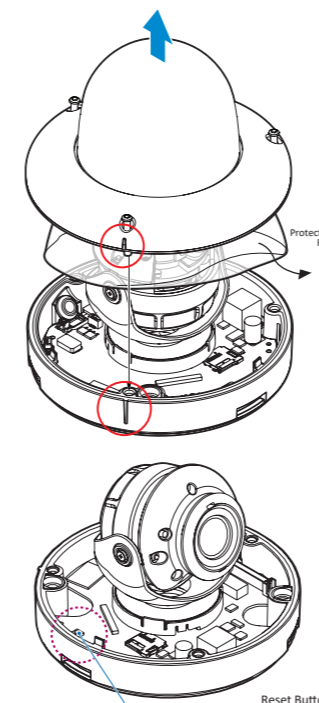
2. Part Name



3. Disassemble the Camera

Before installing your camera, you have to read the following cautions.

- You have to check whether the location can bear five times of the weight of your camera.
- Don't let the cable to be caught in improper place or the electric line cover to be damaged. Otherwise it may cause a breakdown or fire.
- When installing your camera, don't allow any person to approach the installation site. If you have any valuable things under the place, move them away.



- Detach the dome cover by torx wrench provided from bottom case before installation the camera.

- Before install the camera, remove the Protection Film.

Be sure to assemble the dome cover and bottom case to match the case outline.

Reset to the Factory Default

Press the reset button for 5 seconds to return the setup to the factory default.

Warning:

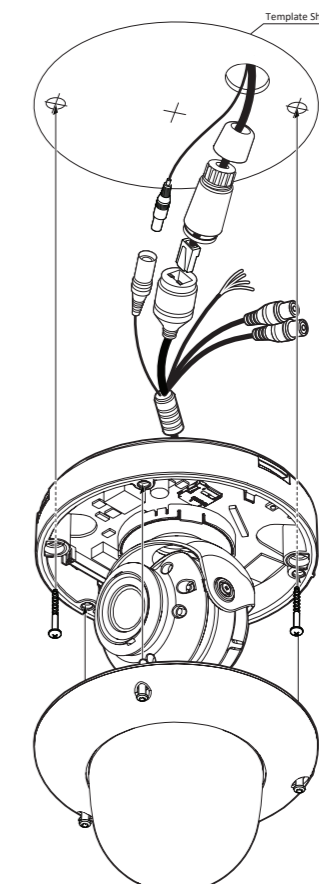
If you press the 'Reset' button, you will lose all setting data. If needed, please, make a note for further installation.

Installation and Use Precautions

- The battery (battery pack or equipped battery) must not be exposed to excessive heat such as sunlight, fire, etc.
- Do not disassemble the camera at your discretion.
- If you forcefully install the product with excessive force, malfunction can damage the camera.
- Do not punch or shake the camera and be careful not to damage the camera with careless storage or malfunction.
- Be careful not to install the camera in a rainy or humid place, and do not leave it in a wet place.
- Installing or using the product in water can cause serious product failure.
- Do not install the product if there is chemical or vapor in the place where the product is installed, or if it can be generated.
- Be careful not to get chemicals on the surface of the product when installing the product. Chemical solvents such as cleaning agents and adhesive components can cause fatal damage to the surface of the product.
- Do not install it near the kitchen or cooking table as edible oil such as soybean oil can also cause product damage and deformation. It can cause product damage.
- Be careful not to get foreign substances on the Micro SD card terminal. If there is any foreign substance, wipe it with a soft cloth.
- Data will not be saved at the end of the life of the Micro SD card. In this case, purchase a new Micro SD card.
- Moisture may occur in the glass of the camera when the new product box is opened (or when the product is initially running). The generated moisture is removed by a Gore vent attached to the camera within hours of the power connection.
- For products enclosed with a desiccant or card-type absorbent, please install it according to the manual.
- Use only with cart, stand, tripod, bracket, or table specified by the manufacturer, or sold with the apparatus.
- Unplug this apparatus when a cart is used. Use caution when moving the cart/apparatus combination to avoid injury from tip-over.



4. Installation



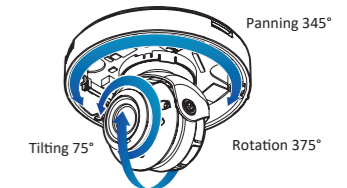
- Disassemble the camera. See the section '3. Disassemble the camera' for details.

- Using the template sheet, make the cabling holes on the wall/ceiling.

- Connect the network cable and power cable respectively. See the section '7. Cabling' for details.

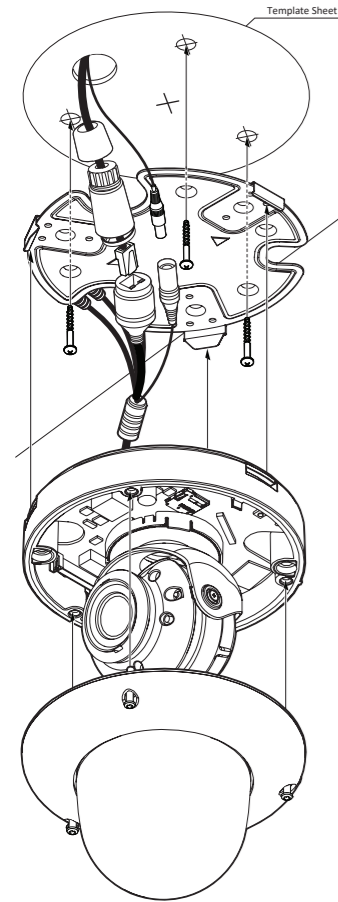
- Fix the bottom case on the ceiling.

- To achieve desired view direction and orientation, rotate 3-axis gimbal. To fix the setting, tighten the tilt stopper screw.

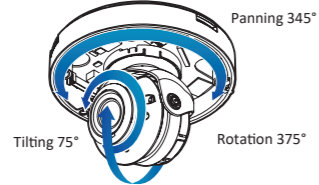


- Assemble the dome cover to the bottom case.

5. Installation Using Mount Plate

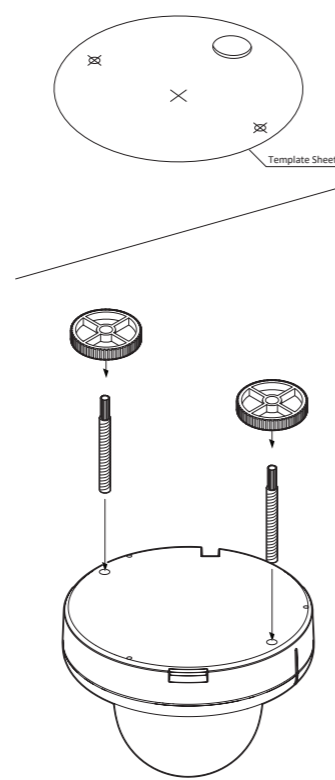


- 1 Disassemble the camera. See the section '3. Disassemble the camera' for details.
- 2 Using the template sheet, make the cabling hole on the wall/ceiling.
- 3 After passing the cables through the hole, fix the mount plate on the template sheet.
- 4 Connect the network cable and power cable respectively. See the section '7. Cabling' for details.
- 5 Fix the bottom case on the mount plate. Press 3 bezels on bottom case of camera till it soundsnap to lock the camera to the mount plate.
- 6 To achieve desired view direction and orientation, rotate 3-axis gimbal. To fix the setting, tighten the tilt stopper screw.

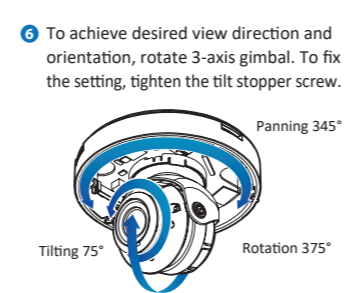


- 7 Assemble the dome cover to the bottom case.

6. Installation Using Mount Bolt & Nut



- 1 Disassemble the camera. See the section '3. Disassemble the camera' for details.
- 2 Using the template sheet, make the cabling hole on the ceiling panel.
- 3 Insert the 2 mount bolts into bottom case of camera.
- 4 Insert the mount bolts into template holes after connecting the cables.
- 5 Fix the camera by tightening mount nuts to mount bolts on the ceiling panel.
- 6 To achieve desired view direction and orientation, rotate 3-axis gimbal. To fix the setting, tighten the tilt stopper screw.



- 7 Assemble the dome cover to the bottom case.

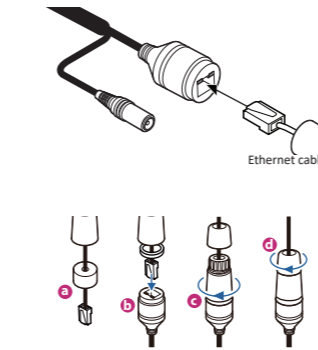
7. Cabling

Two Options

Use a PoE-enabled switch to connect data and power through a single cable and begin viewing and recording images instantly. A non-PoE switch will require an adaptor for power transmission.

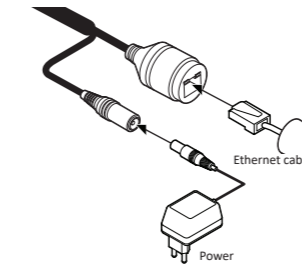
1. Using a PoE-Enabled Switch

The Camera is PoE-compliant, allowing transmission of power and data via a single Ethernet cable. PoE eliminates the need for the different cables used to power, record, or control the camera. Follow the illustration below to connect the camera to a PoE-enabled switch using an Ethernet cable.

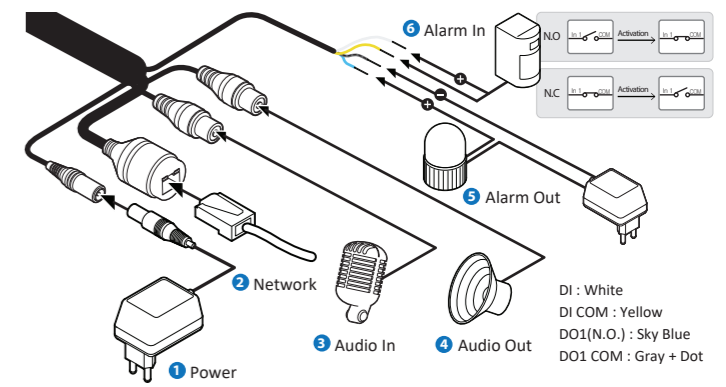


2. Using a Non-PoE Switch

If a PoE-enabled switch is not used, use a power adaptor for power transmission and non-PoE switch for data transmission. Follow the illustrations below to connect the camera without a PoE-enabled Switch.



⚠️ **How to connect to the network through the water proof cable**
Insert the Lan cable into the rubber first as (a) below. Put the Lan cable into (b), then (c) will be assembled to (b) tightly. As a final step, (d) need to be assembled to (c) without making any space.



- 1 Power Connection
Please, check the voltage and current capacity of rated power carefully.

Rated Power	Power Consumption	PoE
DC 12V	6.5W	IEEE 802.3af Class3

- 2 Network Connection

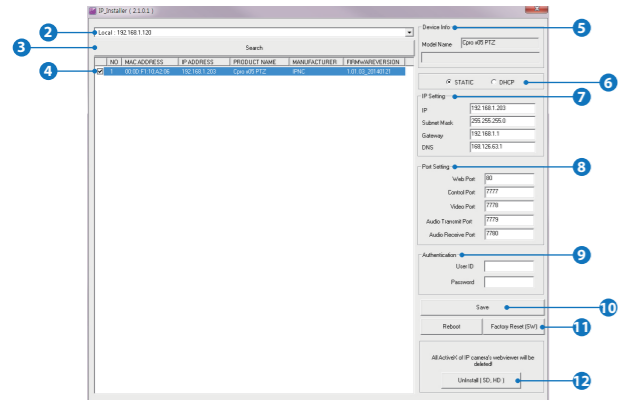
- 3 Audio In
Connect the 'Audio In' cable of the camera to the device like microphone.

- 4 Audio Out
Connect the 'Audio Out' cable of the camera to device like speaker. ⚠️ Audio Out supports only RTSP Back channel function. It plans to make it available on the web later.

- 5 Alarm Out
It connects to the alarm lights, siren or lamps and the sensor types are normal open and normal close. Cable of the alarm output device should connect to DO1(N.O.) and DO1 COM of the cable slot.

- 6 Alarm In
Cable of the sensor/alarm input device should connect to Yellow and White line of the Alarm cable.

8. IP Installer



- 1 Run IP Installer
- 1 Run the IP installer in S/W folder.
- 2 Click on Network Adaptor selection Menu (NIC) after run this program.
- 3 Select a network which a camera is connected then click on a 'Search' button. (Takes about 5 sec.)
- 4 Select a camera to set.
- 5 The information of the selected camera will be shown at Device Info.

- 6 Select the network type.
 - 1 The default network type of the camera is DHCP mode.
 - 1 If you have a DHCP server, it will automatically set the Camera IP.
 - 1 If you do not have a DHCP server, Camera IP is set to 192.168.1.80 after one minute.

- 7 Input IP setting information when the network type is set to STATIC.

1 Default TCP/IP information
- IP: 192.168.1.80
- Subnet Mask: 255.255.255.0
- Gateway: 192.168.1.1
- DNS : 168.126.63.1

- 8 Change the port as necessary when the network type is set to STATIC.

- 1 A 'Port Forwarding' has to be set for external access to the camera.
- 1 Refer to the manual of the network hub for 'Port Forwarding' settings.
- 1 An additional change of HTTPS, RTSP port can be done at Web Viewer >Admin page.

- 9 Input ID and PW of the camera for authentication.
 - 1 Make sure to change the ID and PW for security reason.
 - 1 Go to "Web viewer>Setup>System>Users Management" for ID and PW change.
 - 1 The ID and PW will be set to default value when 'factory reset' the camera.

1 Default ID / PW : admin / admin

- 10 Make sure to click on 'Save' button to save changed values.
 - 1 An "Apply" message will be popped-up when the settings are applied normally, or an error message will be popped-up when failed.

- 11 To reboot or reset (except network setting) the camera.
 - 1 Select a camera (multiple camera can be selected) > Input ID and PW > Click on Reboot or Factory Reset button.
- 12 Able to delete an Active-X which is installed when accessing to Web Viewer.
 - 1 You don't need the function because this camera use the VLC plugin instead of the Active-X.

9. Web Viewer Screen



- 1 Web viewer is optimized with explorer 10 or above version and Chrome.

- 1 Live video display. This is the region for live video stream from the camera.
- 2 Setup popup button. Click it to open the Setup page to setup details of IP camera like Video, Network, Events, System and etc.

- 3 When the image goes unsmoothly because of bad network connection, it stored image during setup time and shows the image on the live view screen.
 - 1 User will see the delayed images as much as setup time.

- 4 Channel Select button. Select a stream produced from the camera between Stream 1~3 to display it in the live view screen.
 - 1 Refer the 'Setup > Video & Audio > Video' to setup the Video Stream.

- 5 Below "Menu" is supported in accordance with models.
 - 1 PTZ Control
This camera model supports the zoom/focus.
 - 1 Speaker Control/Alarm Input/Realy Out
This feature is supported.
 - 1 Preset
Does not support.

- 6 Motion. It shows the Motion event status.
 - 1 Event Alert Icon () appears if 'Motion Detection' is activated.

- 7 Camera Time. Display the camera time.

Disposal of Old Appliance



- 1 When this crossed-out wheel bin symbol is attached to a product it means the product is covered by the European Directive 2002/96/EC.
- 2 All electrical and electronic products should be disposed of separately from the municipal waste stream in accordance to laws designated by the government or the local authorities.
- 3 The correct disposal of your old appliance will help prevent potential negative consequences for the environment and human health.
- 4 For more detailed information about disposal of your old appliance, please contact your city office, waste disposal service or the shop where you purchased the product.