

## Wall Junction Bracket Manual Multi-Sensor Outdoor Dome Camera

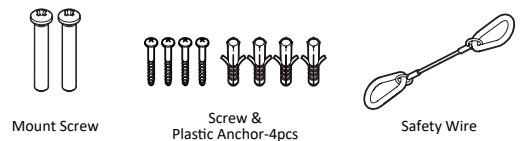
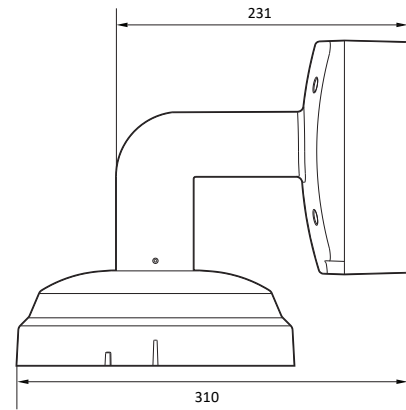
### Quick Manual

Ver. 1.0 / 2021.08

Before installing and using the Camera, please read this manual carefully.  
Be sure to keep it handy for future reference.

## 1. Accessories

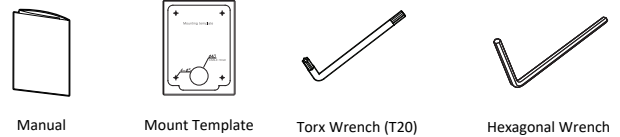
☒ Please check if all the camera and accessories are included in the package.



Mount Screw

Screw &  
Plastic Anchor-4pcs

Safety Wire



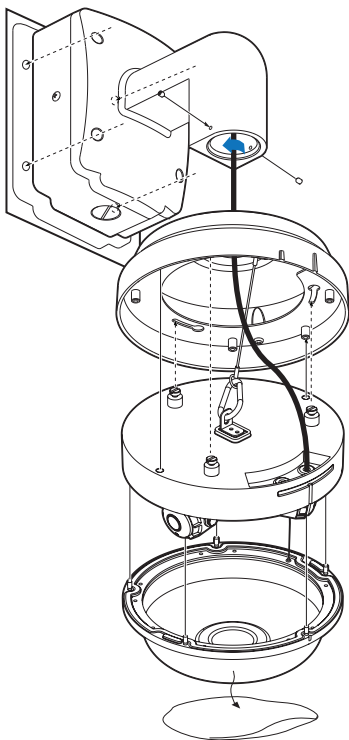
Manual

Mount Template

Torx Wrench (T20)

Hexagonal Wrench

## 2. Installation



- 1 Install it on the wall according to the template sheet. After fixing to the wall, close the Junction Box and use torx wrench to secure with screws.
- 2 Turn the bracket and bracket head to connect. After connecting, use a hex wrench to fix it with a set screw.
- 3 Connect Safety Wire to Head and Camera.
- 4 Tighten the camera to fit the 3 holes. At this time, tighten it to fit the joint.



- 5 After tightening, secure it with two mount screws.
- 6 Secure the dome cover to the camera's bottom case using the torx wrench.
- 7 Remove the protective film from the camera's dome to complete the installation.