

2M 30X HD IP PTZ Indoor / Outdoor IR Camera

Quick Manual

Ver. 1.2 / 2022.07

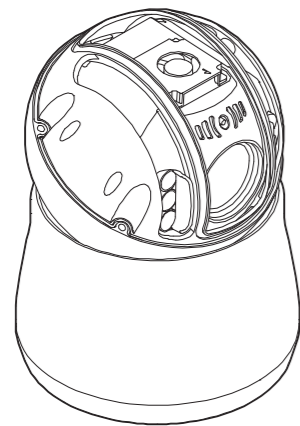
Before installing and using the camera, please read this manual carefully. Be sure to keep it handy for future reference.



This equipment has been tested and found to comply with the limits for a Class A digital device, pursuant to part 15 of the FCC Rules. These limits are designed to provide reasonable protection against harmful interference when the equipment is operated in a commercial environment. This equipment generates, uses, and can radiate radio frequency energy and, if not installed and used in accordance with the instruction manual, may cause harmful interference to radio communications. Operation of this equipment in a residential area is likely to cause harmful interference in which case the user will be required to correct the interference at his own expense.

To disconnect power from the mains, pull out the mains cord plug. When install the product, ensure that the plug is easily accessible.

1. Product & Accessories



Camera



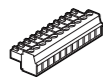
Desi-Pak (Moisture Absorber)



Quick Manual



Dome Cover



Terminal Block

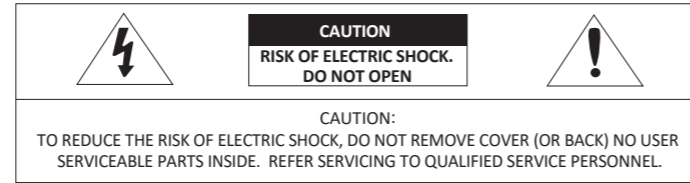


Torx Wrench



Absorber Guide

Safety Information



This symbol indicates that dangerous voltage consisting a risk of electric shock is present within this unit.

This exclamation point symbol is intended to alert the user to the presence of important operating and maintenance (servicing) instructions in the literature accompanying the appliance.

WARNING

To prevent damage which may result in fire or electric shock hazard, do not expose this appliance to rain or moisture.

WARNING

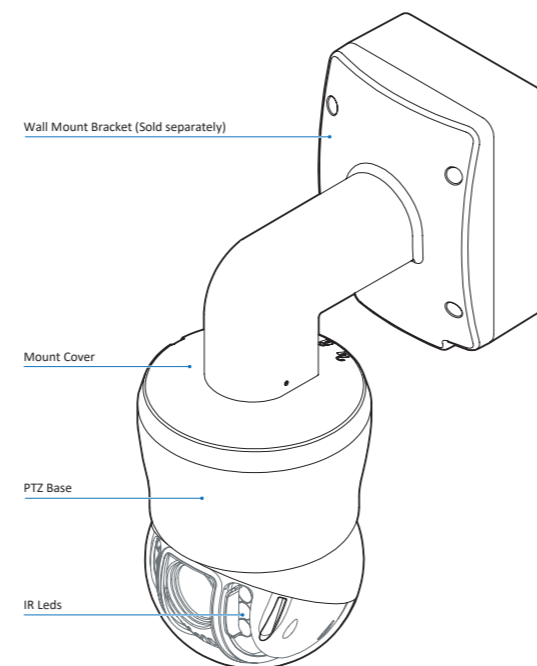
1. Be sure to use only the standard adapter that is specified in the specification sheet. Using any other adapter could cause fire, electrical shock, or damage to the product.
2. Incorrectly connecting the power supply or replacing battery may cause explosion, fire, electric shock, or damage to the product.
3. Do not connect multiple cameras to a single adapter. Exceeding the capacity may cause abnormal heat generation or fire.
4. Securely plug the power cord into the power receptacle. Insecure connection may cause fire.
5. When installing the camera, fasten it securely and firmly. A falling camera may cause personal injury.
6. Do not place conductive objects (e.g. screw drivers, coins, metal things, etc.) or containers filled with water on top of the camera. Doing so may cause personal injury due to fire, electric shock, or falling objects.

7. Do not install the unit in humid, dusty, or sooty locations. Doing so may cause fire or electric shock.
8. If any unusual smells or smoke come from the unit, stop using the product. In such case, immediately disconnect the power source and contact the service center. Continued use in such a condition may cause fire or electric shock.
9. If this product fails to operate normally, contact the nearest service center. Never disassemble or modify this product in any way.
10. When cleaning, do not spray water directly onto parts of the product. Doing so may cause fire or electric shock.

CAUTION

1. Do not drop objects on the product or apply strong shock to it. Keep away from a location subject to excessive vibration or magnetic interference.
2. Do not install in a location subject to high temperature low temperature or high humidity. Doing so may cause fire or electric shock.
3. If you want to relocate the already installed product, be sure to turn off the power and then move or reinstall it.
4. Remove the power plug from the outlet when there is a lightning. Neglecting to do so may cause fire or damage to the product.
5. Keep out of direct sunlight and heat radiation sources. It may cause fire.
6. Install it in a place with good ventilation.
7. Avoid aiming the camera directly towards extremely bright objects such as sun, as this may damage the image sensor.
8. Apparatus shall not be exposed to dripping or splashing and no objects filled with liquids, such as vases, shall be placed on the apparatus.
9. The Mains plug is used as a disconnect device and shall stay readily operable at any time.

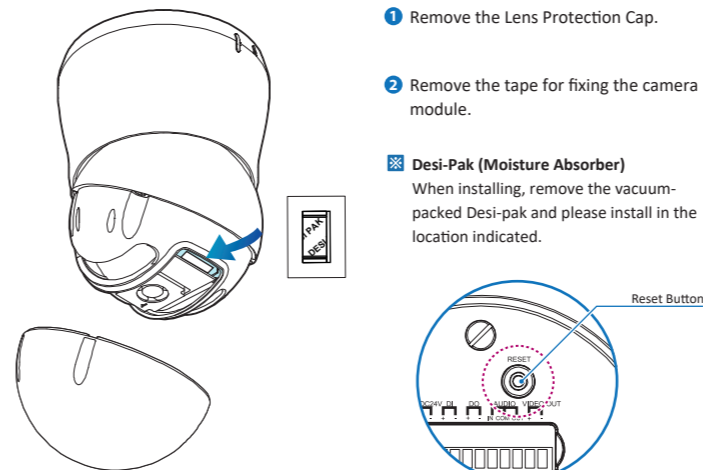
2. Part Name



3. Disassemble the Camera

Before installing your camera, you have to read the following cautions.

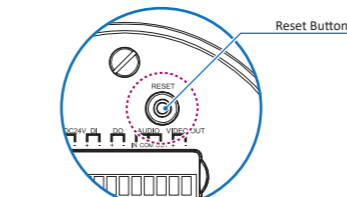
1. You have to check whether the location can bear five times of the weight of your camera.
2. Don't let the cable to be caught in improper place or the electric line cover to be damaged. Otherwise it may cause a breakdown or fire.
3. When installing your camera, don't allow any person to approach the installation site. If you have any valuable things under the place, move them away.



1 Remove the Lens Protection Cap.

2 Remove the tape for fixing the camera module.

Desi-Pak (Moisture Absorber)
When installing, remove the vacuum-packed Desi-pak and please install in the location indicated.



Reset to the Factory Default
Press the reset button for 5 seconds to return the setup to the factory default.

Warning:
If you press the 'Reset' button, you will lose all setting data. If needed, please, make a note for further installation.

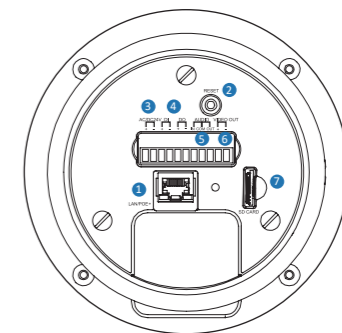
Important Safety Instructions

WARNING

1. Read these instructions.
2. Keep these instructions.
3. Heed all warnings.
4. Follow all instructions.
5. Do not use this apparatus near water.
6. Clean only with dry cloth.
7. Do not block any ventilation openings. Install in accordance with the manufacturer's instructions.
8. Do not install near any heat sources such as radiators, heat registers, or other apparatus (including amplifiers) that produce heat.
9. Do not defeat the safety purpose of the polarized or grounding-type plug. A polarized plug has two blades with one wider than the other. A grounding type plug has two blades and a third grounding prong. The wide blade or the third prong is provided for your safety. If the provided plug does not fit into your outlet, consult an electrician for replacement of the obsolete outlet.
10. Protect the power cord from being walked on or pinched particularly at plugs, convenience receptacles, and the point where they exit from the apparatus.
11. Only use attachments/accessories specified by the manufacturer.
12. Use only with cart, stand, tripod, bracket, or table specified by the manufacturer, or sold with the apparatus.
13. Unplug this apparatus when a cart is used. Use caution when moving the cart/apparatus combination to avoid injury from tip-over.
14. Refer all servicing to qualified service personnel. Servicing is required when the apparatus has been damaged in any way, such as power supply cord or plug is damaged, liquid has been spilled or objects have fallen into the apparatus, the apparatus has been exposed to rain or moisture, does not operate normally, or has been dropped.



4. Function



1 **Network Connection**
Connect the Straight through or crossover cable.

2 **Reset Button**
Return the setup to the factory default.

3 **Power**
Please check the correct rated power.

| Rate Power | Power Consumption | PoE |
|------------|-------------------|--------------------|
| AC/DC24V | 35W/40W | IEEE802.3bt class5 |

4 **Sensor/Alarm Input (DI)**
It connects to IR sensor, IrDA sensor or door switch. If the sensor is activated, it can activate to move camera to the specific angle and to connect the alarm device.

Alarm Out/Relay Out (DO)
It connects to the alarm lights, siren or lamps and the sensor types are normal open and normal close.

5 **Audio In**
Connect the 'Audio In' port of the camera to the microphone directly or 'Line Out' port of the amplifier connected with microphone.
 If the microphone is connected directly, the microphone with the embedded amplifier such as condenser mic. needs to be used.

Audio Out
Connect the 'Audio Out' port of the camera to the 'Line In' port of the speaker.

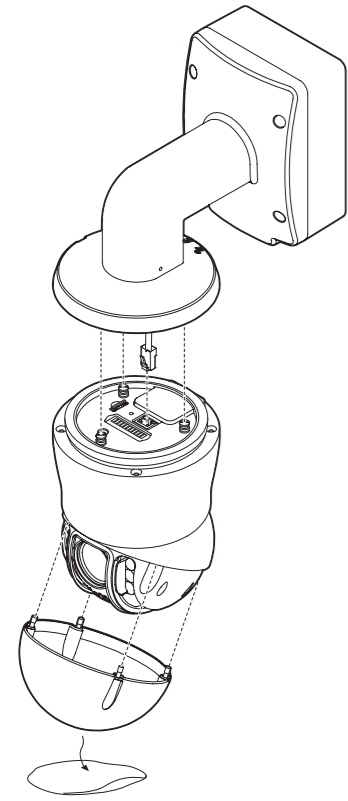
If the speaker without the amplifier is connected to Audio Out port, it doesn't work properly. Therefore, the speaker with the amplifier or the separate amplifier is needed.

Audio Out supports only RTSP Back channel function. It plans to make it available on the web later.

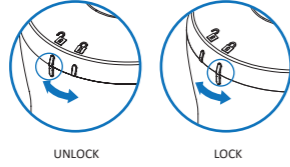
6 **Video Out**
Test Video output use to check the screen during installation.

7 **SD Card Slot**

5. Installation



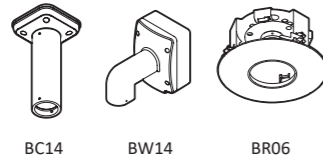
- 1 Attach the dome cover to the camera.
- 2 Adjust the PTZ function before installation.
- 3 Attach the Bottom Case to selected Mount Bracket.
- 4 Assemble the PTZ Base and Mount cover.
 - Be sure to assemble the PTZ Base and Mount cover to match the Mount Point.



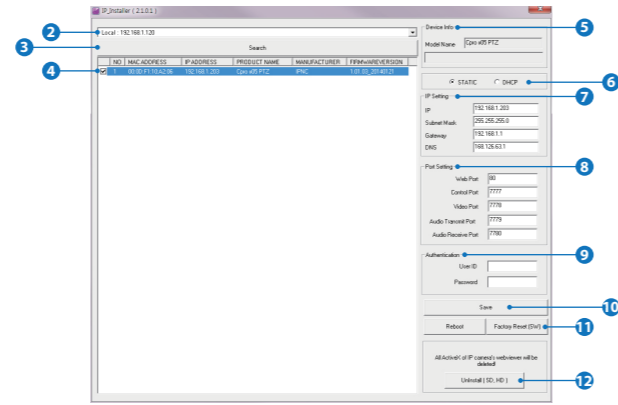
- 5 Secure the PTZ base and the mount cover completely with set screw.

- 6 Remove the dome cover protection film.

[Accessory Bracket]



6. IP Installer



1. Run IP Installer

- 1 Run the manual CD and IP installer in S/W folder.
- 2 Click on Network Adaptor selection Menu (NIC) after run this program.
- 3 Select a network which a camera is connected then click on a 'Search' button. (Takes about 5 sec.)
- 4 Select a camera to set.
- 5 The information of the selected camera will be shown at Device Info.

6. Select the network type.

- 1 The default network type of the camera is DHCP mode.
- 1 If you have a DHCP server, it will automatically set the Camera IP.
- 1 If you do not have a DHCP server, Camera IP is set to 192.168.1.80 after one minute.

7. Input IP setting information when the network type is set to STATIC.

- 1 Default TCP/IP information
 - IP: 192.168.1.80
 - Subnet Mask: 255.255.255.0
 - Gateway: 192.168.1.1
 - DNS : 168.126.63.1

8. Change the port as necessary when the network type is set to STATIC.

- 1 A 'Port Forwarding' has to be set for external access to the camera.
- 1 Refer to the manual of the network hub for 'Port Forwarding' settings.
- 1 An additional change of HTTPS, RTSP port can be done at Web Viewer > Admin page.

9. Input ID and PW of the camera for authentication.

- 1 Make sure to change the ID and PW for security reason.
- 1 Go to "Web viewer>Setup>System>Users Management" for ID and PW change.
- 1 The ID and PW will be set to default value when 'factory reset' the camera.

1 Default ID / PW : admin / admin

10. Make sure to click on 'Save' button to save changed values.

- 1 An "Apply" message will be popped-up when the settings are applied normally, or an error message will be popped-up when failed.

11. To reboot or reset (except network setting) the camera.

- 1 Select a camera (multiple camera can be selected) > Input ID and PW > Click on Reboot or Factory Reset button.
- 1 Able to delete an Active-X which is installed when accessing to Web Viewer.
 - 1 You don't need the function because this camera use the VLC plugin instead of the Active-X.

7. Web Viewer Screen



- 1 Web viewer is optimized with explorer 10 or above version and Chrome.

- 1 Live video display. This is the region for live video stream from the camera.

- 2 Setup popup button. Click it to open the Setup page to setup details of IP camera like Video, Network, Events, System and etc.

- 3 When the image goes unsmoothly because of bad network connection, it stored image during setup time and shows the image on the live view screen.
 - 1 User will see the delayed images as much as setup time.

- 4 Channel Select button. Select a stream produced from the camera between Stream 1~3 to display it in the live view screen.
 - 1 Refer the 'Setup > Video & Audio > Video' to setup the Video Stream.

- 5 Below "Menu" is supported in accordance with models.

PTZ Control
This camera model supports the zoom/focus.
Speaker Control/Alarm Input/Relay Out
This feature is supported.
Preset/Presets Tour
This feature is supported.

- 6 Motion. It shows the Motion event status.

- 1 Event Alert Icon () appears if 'Motion Detection' is activated.

- 7 Camera Time. Display the camera time.

Disposal of Old Appliance



1. When this crossed-out wheel bin symbol is attached to a product it means the product is covered by the European Directive 2002/96/EC.
2. All electrical and electronic products should be disposed of separately from the municipal waste stream in accordance to laws designated by the government or the local authorities.
3. The correct disposal of your old appliance will help prevent potential negative consequences for the environment and human health.
4. For more detailed information about disposal of your old appliance, please contact your city office, waste disposal service or the shop where you purchased the product.