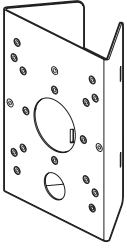


1. Accessories & Dimension

☒ Please check if all the camera and accessories are included in the package.

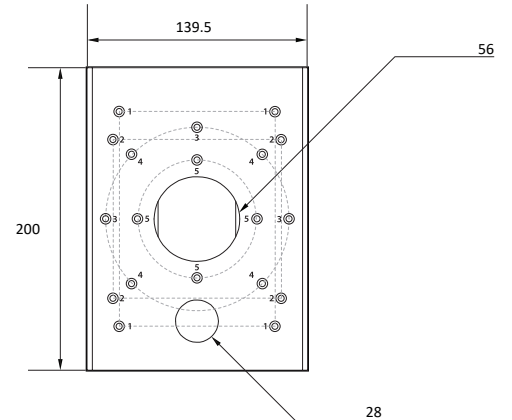


Pole Mount Bracket Manual Wall / Junction Bracket

Quick Manual

Ver. 1.2 / 2021.08

Before installing and using the Camera, please read this manual carefully.
Be sure to keep it handy for future reference.



MOUNT POINT 1
102mm x 142mm

MOUNT POINT 3, 4
ø121mm

MOUNT POINT 2
105mm x 110mm

MOUNT POINT 5
ø78mm



Mount Screw 3ea
(for Wall Junction Bracket)



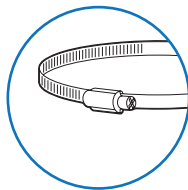
Mount Screw 4ea



Steel Band 2ea

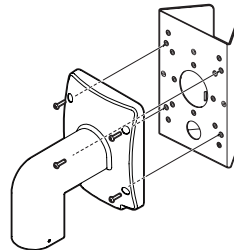
2. Installation

- 1 Mount the camera to the Pole Bracket.
- 2 After attaching the camera, fix it to the pole using a steel band.
- 3 Tighten and secure with a + screw-driver to finish.

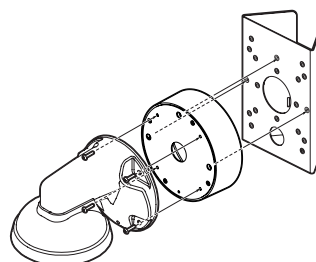


MOUNT POINT 1
PTZ Wall Junction Bracket

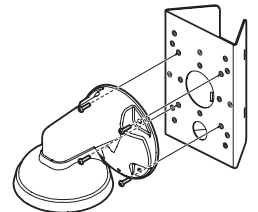
MOUNT POINT 2
Multi Sensor Wall Bracket



MOUNT POINT 3
Dome Camarea Wall Bracket &
Wall Junction Bracket



MOUNT POINT 4
Dome Camarea Wall Bracket



MOUNT POINT 5
Bullet Junction Bracket

