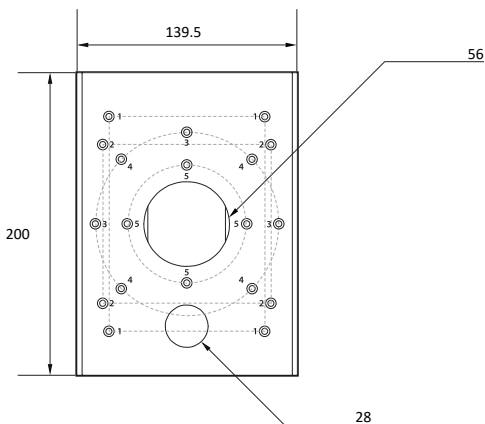


1. Dimension & Accessories



MOUNT POINT 1
102mm x 142mm

MOUNT POINT 2
105mm x 110mm

MOUNT POINT 3, 4
ø121mm

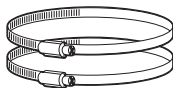
MOUNT POINT 5
ø78mm



Mount Screw 3ea
(for Wall Junction Bracket)



Mount Screw 4ea



Steel Band 2ea