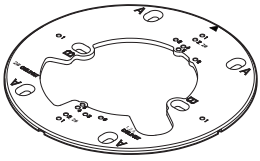


# 1. Dimension & Accessories

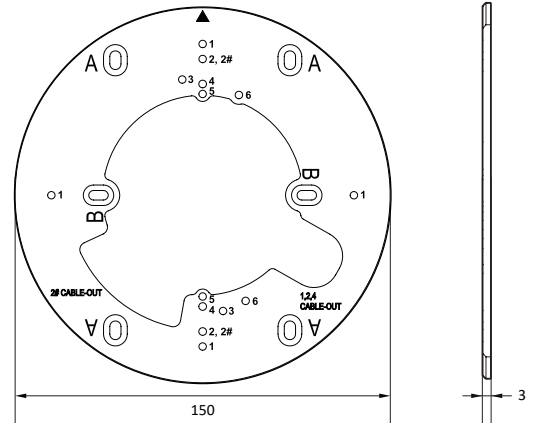


## Gang Plate Manual Dome Camera

### Quick Manual

Ver. 1.0 / 2020.06

Before installing and using the Camera, please read this manual carefully.  
Be sure to keep it handy for future reference.



**MOUNT POINT 1**  
NK4 / NK6 / VD5

**MOUNT POINT 2**  
VD8 / VD9 / VD11 / VD15 / VF2 / VF9

**MOUNT POINT 2#**  
VD13

**MOUNT POINT 3**  
VD14

**MOUNT POINT 4**  
VD1 / VD2 / VD7 / NK2

**MOUNT POINT 5**  
VP2 / VP3

**MOUNT POINT 6**  
NK5

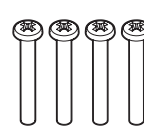
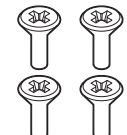


Plate Mount Screw



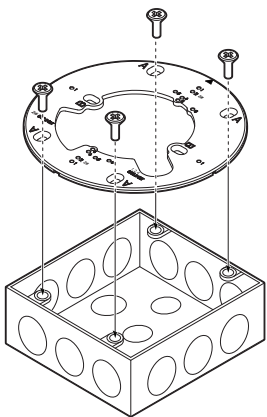
A Install Screw



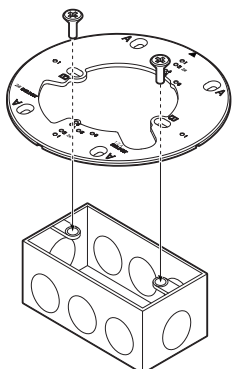
B Install Screw

## 2. Installation

### Mounting Gang Plate to Gang Box (Optional)

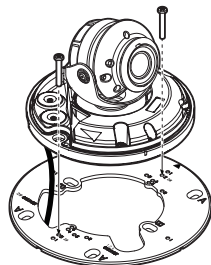


A : 2-Gang Handy Boxes / Switch Boxes

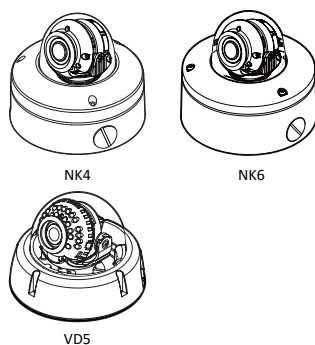


B : Handy Boxes

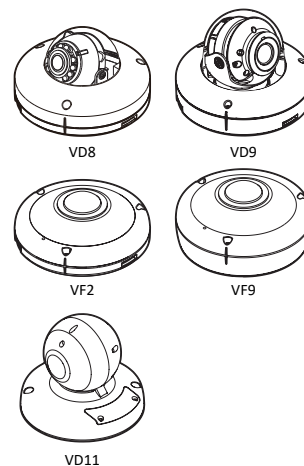
- 1 Connect Gange Plate to Gang Box.
- 2 Connect the cable and arrange.
  - Please refer to CABLE-OUT of Gang Plate.
- 3 Check the number to be attached to the camera and install it according to the mount point.
- 4 Assemble the Upper case and complete the installation.



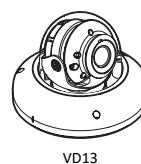
### Mount Point 1 Installation



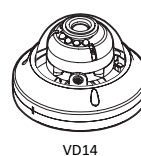
### Mount Point 2 Installation



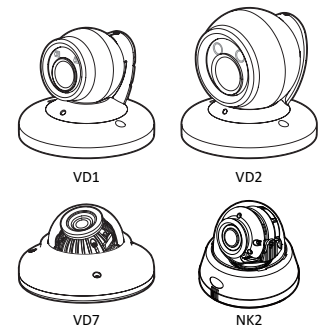
### Mount Point 2# Installation



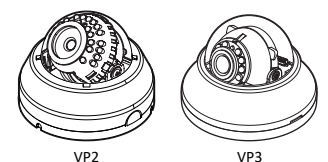
### Mount Point 3 Installation



### Mount Point 4 Installation



### Mount Point 5 Installation



### Mount Point 6 Installation

